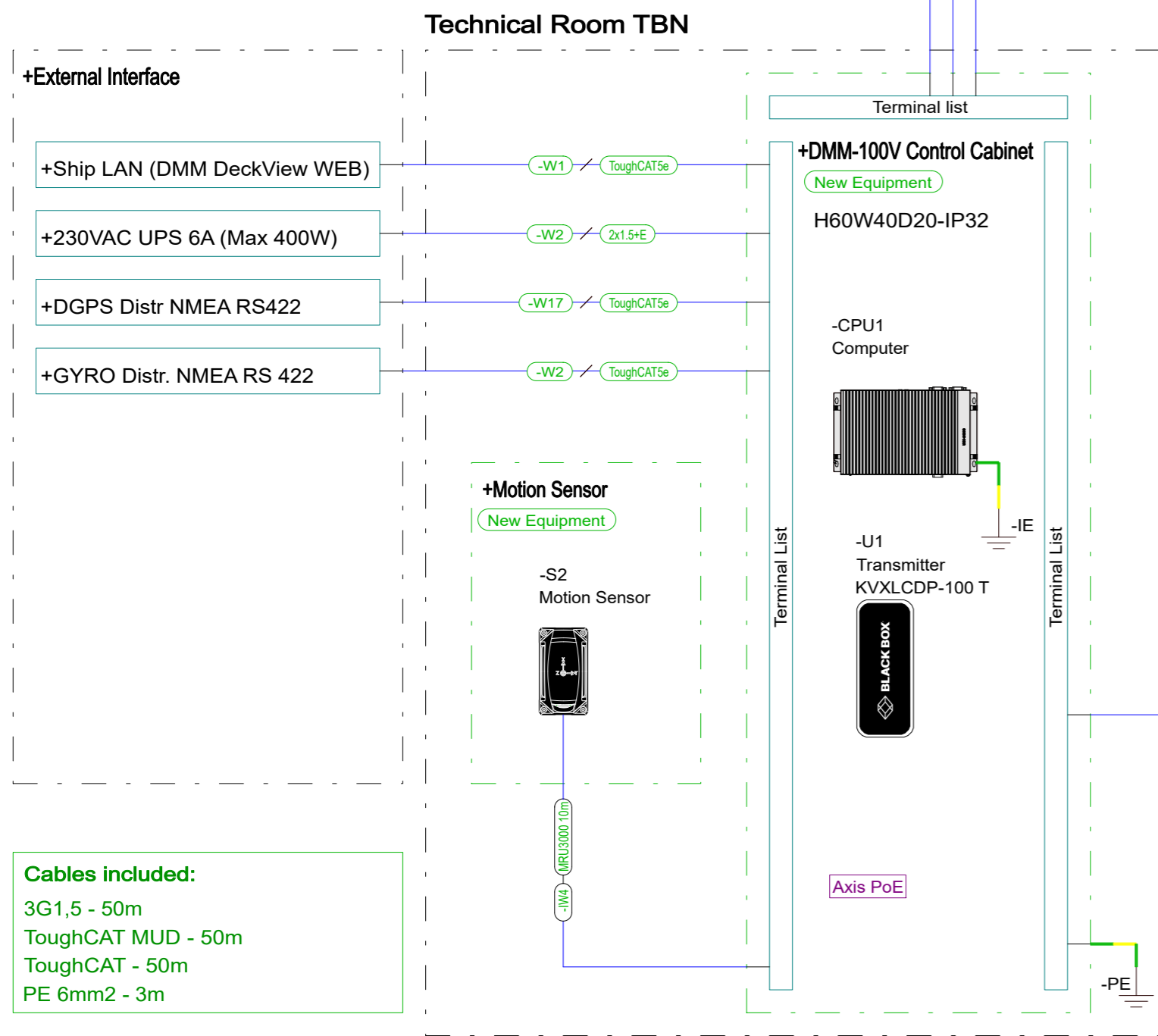
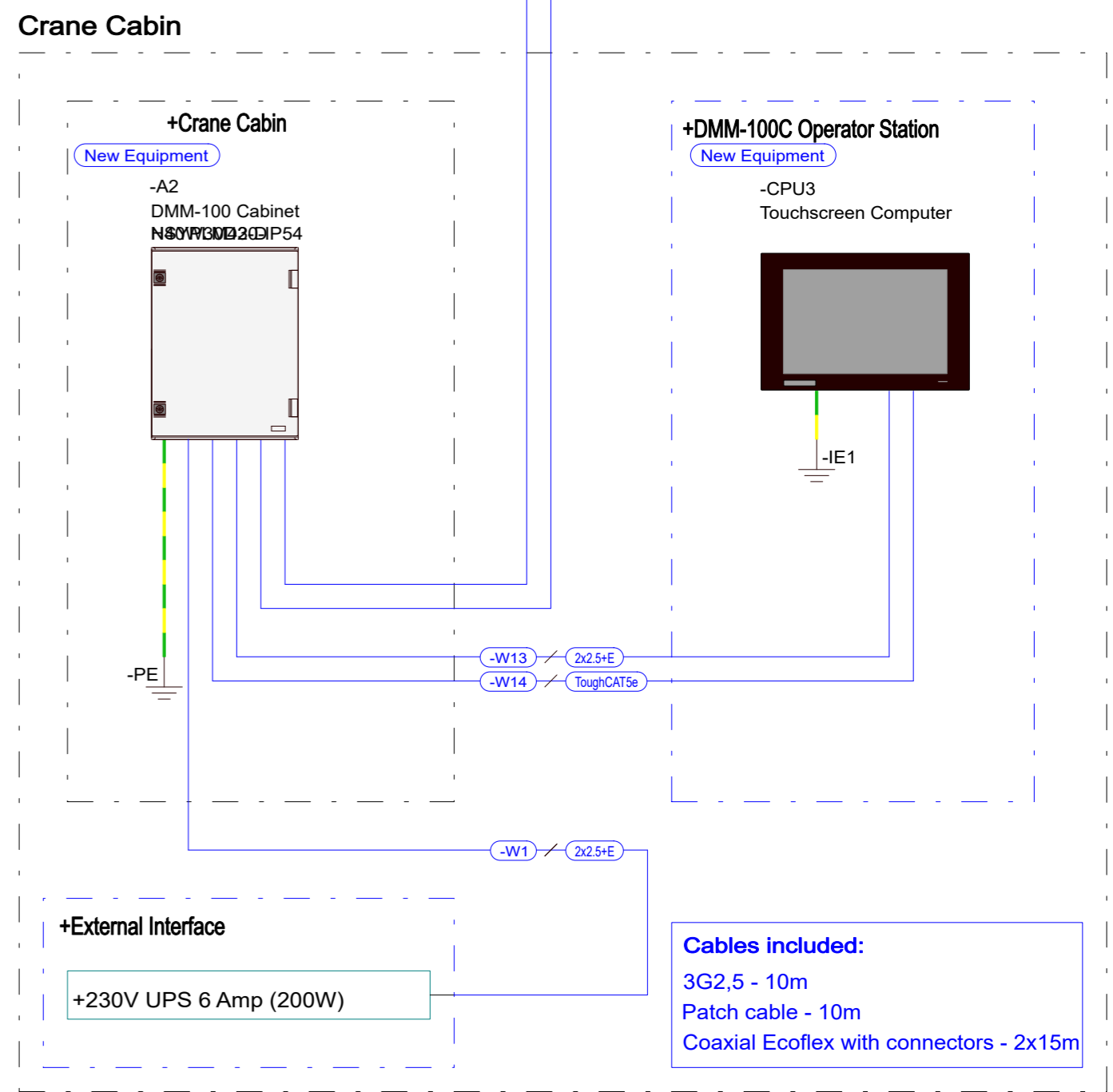
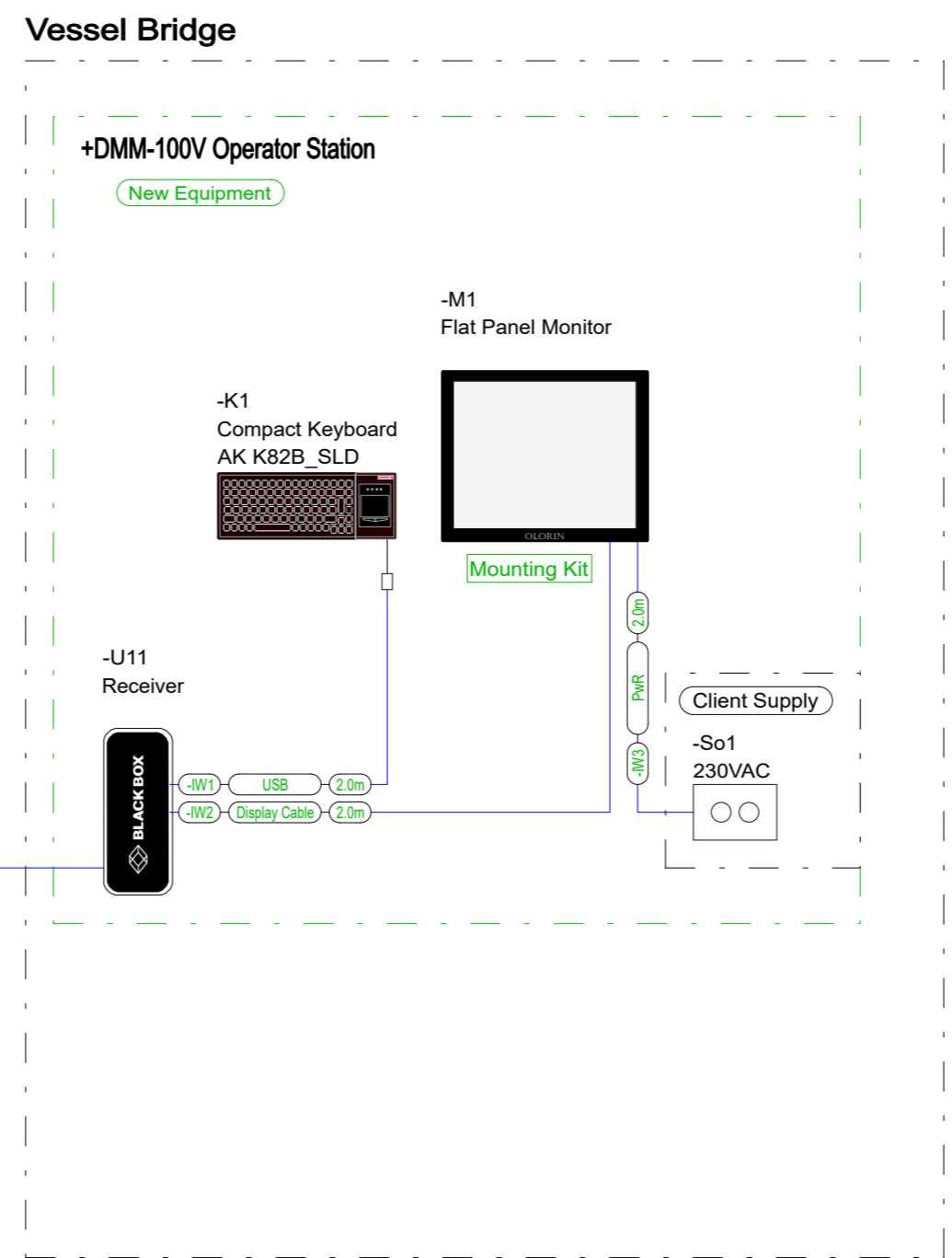


Outdoor

This document is the property of ShoreConnection International AS and must not be copied from or imparted to a third party without written consent, including also the interdependent information given. The receipt of this document implies that these conditions are accepted.



Cables included:
 3G1,5 - 50m
 ToughCAT MUD - 50m
 ToughCAT - 50m
 PE 6mm2 - 3m



Cables included:
 3G2,5 - 10m
 Patch cable - 10m
 Coaxial Ecoflex with connectors - 2x15m

DMM-100V in Vessel Equipment / Cables by ShoreConnection
 Option Deck View Camera and IWLAN Radio for connection to Crane
 Option DMM-100C in Crane Equipment / Cables by ShoreConnection

Item/Part	DMM-100V Option IWLAN - DMM-100C	TITLE:	Deck Motion Monitor 100 Vessel (DMM-100V) OPTION Deck View Camera and IWLAN Radio to DMM-100C crane OPTION Deck Motion Monitor 100 Crane (DMM-100C)		
Project Title	TBA	Issued with Quotation	DATE. / SIGN. / REV.	08.01.2024	JR 00A
Yard					
Classification	ISO EN 13852 2013 / 19901-1:2015 & WMO-No.8				
Shipowner	TBA				



LOCATION:	SFI: 566.002	Project no:	
QUOTATION: JR	DOCUMENT NO.	REV NO.	01Q
DRAWN: SBH			PAGE NO. 3
FORMAT: A3	NO. OF SHEETS: 3		NEXT PAGE: